



**Size BxH 400x400...1800x1800**

KAT-A 2452-C

**Product characteristics and benefits**

- Four side sealing
- Leak-tightness: max. 1% of the permissible leak rate (on-seat and off-seat pressure) according to DIN 19569 Part 4; corresponds to EN 12266-2 Leak Rate G
- Compact valve with self-contained frame design for wall mounting with anchors
- Non-rising stem and integrated stem bearing
- Rotatable stem nut
- Patented VAG sliding wedge system between gate and frame
- Vibration-free guiding of the gate over the entire travel; can be used in intermediate positions as control valve
- Improved leak-tightness by interlocking system between gate and top traverse (sizes 700x700...1800x1800)
- Integrated and chambered profiled seal
- Seal between valve and wall mounted to the valve and ready for operation
- Square opening for wall mounting with anchors

**Materials**

- Frame: Stainless steel A2
- Knife: Stainless steel A2
- Stem: Stainless steel 1.4057
- Seals: Wastewater and UV-resistant EPDM
- Stem nut: Zinc-free bronze (wastewater resistant)

**Corrosion protection**

- All stainless steel parts: Dip pickled and passivated

**Versions**

- Standard version as described
- With electric actuator
- With handwheel
- With pneumatic actuator
- Other pressure ratings available on request
- Stem thread outside the medium, open frame design
- For flange connections with additional flange adapter
- Frame and knife: Stainless steel A4
- Size 1300-1800 mm on request
- Other dimensions on request
- Higher tightness request on request

**Field of application**

- Chamber installation
- Basin installation
- Wastewater systems



**Tests and approvals**

- Factory test report acc. to DIN EN 10204, 2.1 with indication of leakage rate

**Accessories**

- Wide range of VAG REMO remote control systems

**Note**

Flexible modular system with the VAG REMO remote control system

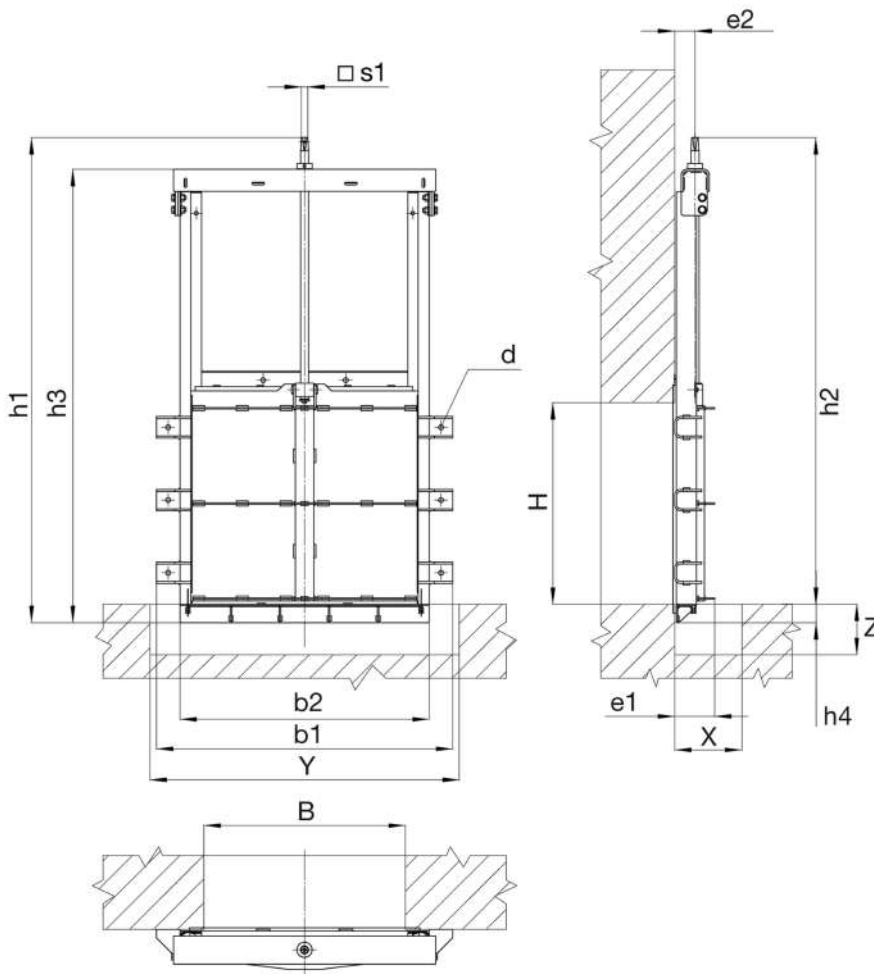
For proper installation and safe operation please follow the installation and operation instructions:  
KAT-B 2452

**Field of application**

| Size<br>[mm]        | Maximum operating pressure limits on both sides<br>[m WC] | Maximum operating temperature for neutral liquids<br>[°C] |
|---------------------|---|---|
| 400x400...800x800   | 8   | 50  |
| 900x900...1800x1800 | 6   | 50  |



**Drawing**



**Technical data**

| Size BxH       | [mm]              | 400x400 | 500x500 | 600x600 | 700x700 | 800x800 | 900x900 | 1000x1000 | 1200x1200 | 1800x1800 |
|----------------|-------------------|---------|---------|---------|---------|---------|---------|-----------|-----------|-----------|
| mWc            |                   | 8       | 8       | 8       | 8       | 8       | 6       | 6         | 6         | 6         |
| X (min)        |                   | 200     | 200     | 200     | 600     | 600     | 600     | 600       | 600       | 600       |
| Y (min)        |                   | 730     | 830     | 930     | 1050    | 1150    | 1250    | 1350      | 1550      | 1550      |
| Z              | [mm]              | 150     | 150     | 150     | 150     | 150     | 150     | 150       | 150       | 150       |
| b1             | [mm]              | 682     | 782     | 882     | 990     | 1090    | 1190    | 1290      | 1490      | 1490      |
| b2             | [mm]              | 542     | 642     | 742     | 854     | 954     | 1054    | 1154      | 1354      | 1354      |
| e1             | [mm]              | 121     | 121     | 121     | 143     | 158     | 158     | 168       | 173       | 173       |
| e2             | [mm]              | 61      | 61      | 61      | 66      | 66      | 66      | 66        | 66        | 66        |
| h1             | [mm]              | 1054    | 1249    | 1444    | 1682    | 1882    | 2082    | 2282      | 2682      | 2682      |
| h2             | [mm]              | 989     | 1184    | 1379    | 1613    | 1813    | 2013    | 2213      | 2613      | 2613      |
| h3             | [mm]              | 959     | 1154    | 1349    | 1592    | 1792    | 1992    | 2192      | 2592      | 2592      |
| h4             | [mm]              | 65      | 65      | 65      | 69      | 69      | 69      | 69        | 69        | 69        |
| □ s1           | [mm]              | 19.3    | 19.3    | 19.3    | 27.3    | 27.3    | 27.3    | 27.3      | 27.3      | 27.3      |
| Holes (d)      |                   | 14,5    | 14,5    | 14,5    | 14,5    | 14,5    | 14,5    | 14,5      | 14,5      | 14,5      |
| Turns/stroke   |                   | 80.4    | 100.4   | 120.4   | 117.1   | 133.8   | 150.5   | 167.1     | 200.5     | 200.5     |
| Weight approx. | [kg]              | 41.60   | 55.00   | 66.80   | 114.60  | 136.50  | 161.50  | 177.00    | 229.50    | 229.50    |
| Volume approx. | [m <sup>3</sup> ] | 0.087   | 0.118   | 0.154   | 0.238   | 0.324   | 0.391   | 0.495     | 0.691     | 0.691     |