



DT08

Track Dumpers



The rental fleet pro: DT08.

Wacker Neuson's track dumper DT08 can be maneuvered on any surface with centimeter-accuracy, thanks to its compact dimensions and precision control. Its 800 kg payload and width of only 79 cm make the DT08 the ideal addition to any rental fleet.

- The hydrostatic drive enables easy and comfortable operation; powerful engines (gasoline or diesel).
- Robust crawler design guarantees long service life with low wear and tear.
- Optimal ratio between low net weight and maximum payload.
- Compact dimensions (79 cm), ideal for working in confined spaces and making its way through standard doors; high ground clearance.
- The rubber track and the optimum weight distribution reduce the ground pressure and prevent damage to delicate surfaces. The tailor-made cooling system guarantees safe operation of the machine in high-temperature conditions.

Technical specifications

Frontkipmulde

Hochkipmulde

Operating data

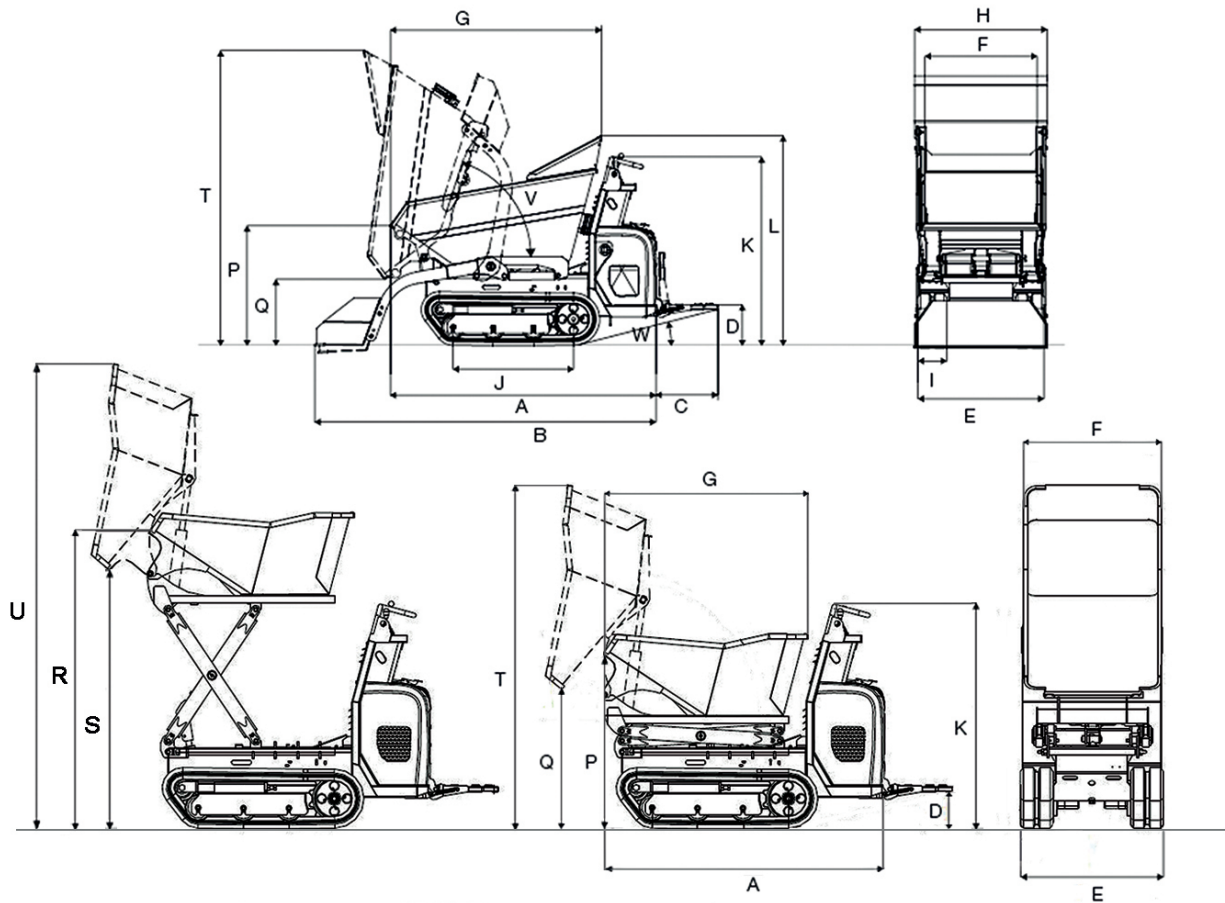


	Frontkipmulde	Hochkipmulde
Shipping weight Gasoline kg	520	580
Shipping weight mit SLE kg	590	0
Shipping weight Diesel kg	560	625
Shipping weight mit SLE kg	630	0
Payload max. kg	800	800
Skip capacity level I	334	240
Skip capacity heaped* l	387	280
L x W x H * mm	1,660 x 790 x 1,203	1,545 x 790 x 1,240
Engine / Motor		
Engine performance Gasoline kW	6.7	6.7
Engine performance Diesel kW	6.8	6.8
at rpm rpm	3,600	3,600
Travel speed max. km/h	4	4
Gradeability %	36	36

* Model with front-tipping skip



Dimensions



	Front tip skip	High tip skip
A Length (without running board) mm	1,660	1,545
B Length with self-loading equipment (without running board) mm	2,132	0
C Length of running board mm	388	387
D Height over running board mm	235	234
E Width Undercarriage mm	790	790
F Skip width mm	830	764
G Skip length mm	1,320	1,134
H Width with self-loading equipment mm	830	0
I Chain width Track mm	180	180
J Length Track mm	753	753
K Height over control console mm	1,240	1,240
L Height over skip hand protector mm	1,313	0



P	Height of skip front edge mm	750	964
Q	Dumping height mm	420	757
R	Height of skip front edge when raised mm	0	1,646
S	Dumping height of high-tipping skip when raised mm	0	1,426
T	Height Max., skip raised mm	1,845	1,898
U	Height Max., high-tipping skip raised mm	0	2,570
V	Tip-out angle Skip dumping °	72	82
W	Reverse roll angle Running board retraction °	14	13
Y	Ground clearance mm	110	110

Please note

that product availability can vary from country to country. It is possible that information / products may not be available in your country. More detailed information on engine power can be found in the operator's manual; the stated power may vary due to specific operating conditions.

Subject to alterations and errors excepted. Applicable also to illustrations.

Copyright © 2016 Wacker Neuson SE.