



DW60
Wheel Dumpers



The power package: the DW60 wheel dumper.

The wheel dumper has everything a powerful workhorse needs: hydrostatic all-wheel drive with ECO mode, 2 skip types, 6,000 kg payload and the strongest engine versions in its class. The modern safety cab (optional) turns it into a dumper for every season. All factory-installed, as only Wacker Neuson knows how.

- Performance enhancements: DW60 power version with engine output of 86 kW
- 2 types of skips: Front tip or swivel tip skip
- Supreme off-road capability thanks to a articulated pendulum joint angle of 29 degrees.
- Travel speeds of up to 25 km/h for high speed transport jobs
- Available ex factory with a cabin

Technical specifications

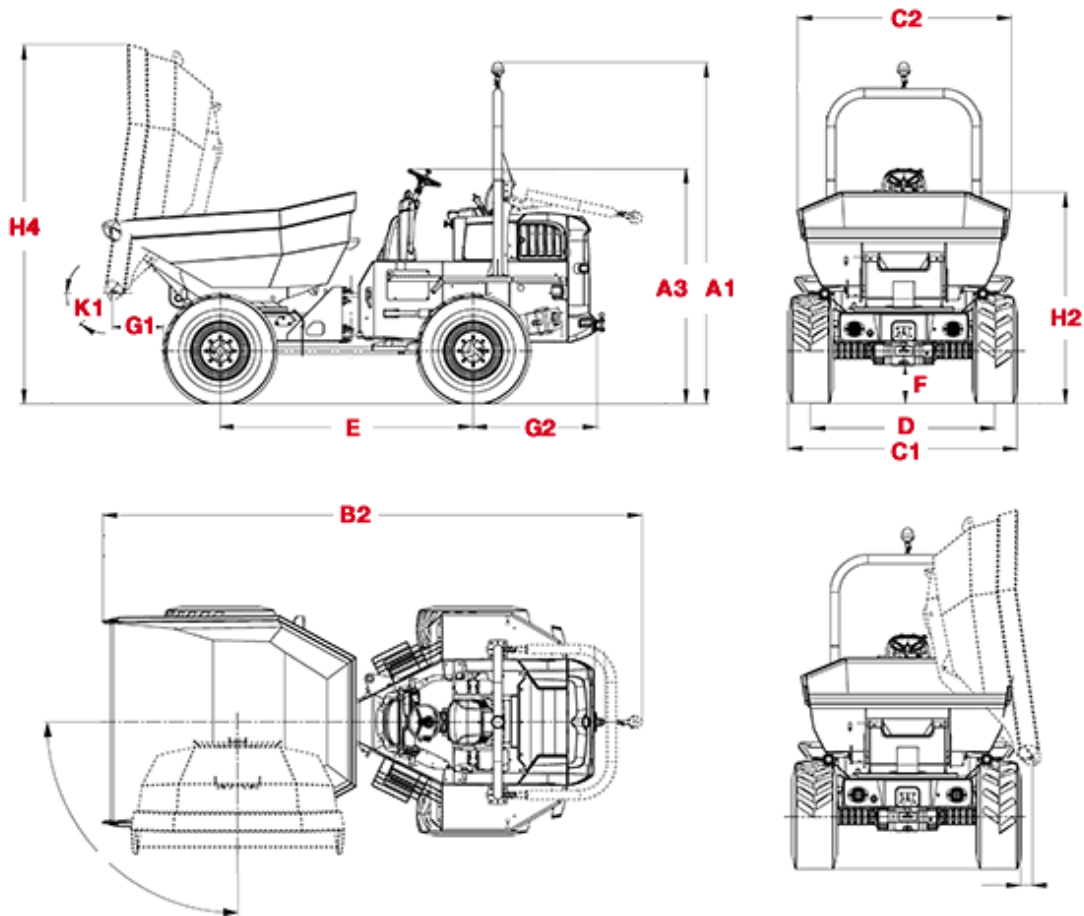
	DW60 swivel tip skip	DW60 front tip skip	DW60 LRC swivel tip skip	DW60 LRC front tip skip	DW60 power swivel tip skip
Operating data					
Payload kg	6,000	6,000	6,000	6,000	6,000



	DW60 swivel tip skip	DW60 front tip skip	DW60 LRC swivel tip skip	DW60 LRC front tip skip	DW60 power swivel tip skip
Net weight kg	4,866	4,483	4,866	4,483	4,866
Shipping weight Front tip skip ROPS kg	0	4,483	0	4,553	0
Shipping weight Front tip skip cabin kg	0	4,683	0	4,660	0
Shipping weight Swivel tip skip ROPS kg	4,938	0	4,938	0	0
Shipping weight Swivel tip skip cabin kg	5,045	0	5,045	0	0
Skip capacity Swivel tip skip, struck l	2,350	0	2,350	0	2,350
Skip capacity Swivel tip skip, heaped l	3,200	0	3,200	0	3,200
Skip capacity Swivel tip skip, water volume l	1,660	0	1,660	0	1,660
Skip capacity Front tip skip, struck l	0	2,650	0	2,650	0
Skip capacity Front tip skip, heaped l	0	3,500	0	3,500	0
Skip capacity Front tip skip, water volume l	0	1,900	0	1,900	0
Engine / Motor					
Engine / Motor manufacturer	Perkins	Perkins	Perkins	Perkins	Perkins
Engine / Motor type	854F	854F	1104D	1104D	854E
Engine / Motor	water-cooled 4-cylinder turbo-diesel	water-cooled 4-cylinder turbo-diesel	water-cooled 4-cylinder turbo-diesel incl. intercooler	water-cooled 4-cylinder turbo-diesel incl. intercooler	water-cooled 4-cylinder turbo-diesel incl. intercooler
Engine performance according to ISO 3046/1 kW	55	55	62.5	62.5	86
Displacement cm ³	3,400	3,400	4,400	4,400	3,400
Engine RPM rpm	2,200	2,200	2,200	2,200	2,200
Emissions	Level 3b/Tier 4 final	Level 3b/Tier 4 final	Level 3a/Tier 3	Level 3a/Tier 3	Level 3b/Tier 4 interim
Traction drive	4WD, hydrostatic	4WD, hydrostatic	4WD hydrostatic	4WD hydrostatic	4WD hydrostatic
Travel speed km/h	25	25	25	25	28
Articulation angle °	29	29	29	29	29
Pendulum angle °	11	11	11	11	11
Turning radius mm	6,000	6,150	6,000	6,150	6,000
Gradeability %	50	50	50	50	50
Tires	405/70-20	405/70-20	400/55R22.6	400/55R22.5	405/70-20
L x W x H mm	4,935 x 2,250 x 3,110	4,575 x 2,250 x 3,110	4,760 x 2,446 x 2,545	4,760 x 2,446 x 2,545	4,770 x 2,250 x 3,110
Steering pump	Axial piston pump	Axial piston pump	Axial piston pump	Axial piston pump	Axial piston pump
Flow rate l/min	152	152	152	152	171
Operating pressure bar	450	450	450	450	450
Duty pump	Gear pump	Gear pump	Gear pump	Gear pump	Gear pump
Flow rate l/min	68	68	68	68	68
Operating pressure bar	235	235	235	235	235
Tank capacity l	83	83	83	83	83
Hydraulic oil tank l	60	60	60	60	60



Dimensions



	DW60 swivel tip skip	DW60 front tip skip	DW60 power swivel tip skip
C1 Overall width mm	2,250	2,250	2,250
C2 Skip width swivel skip mm	2,090	2,330	2,090
D Width mm	1,810	1,810	1,810
H2 Skip height mm	2,075	2,020	2,075
H4 Skip height tilted mm	3,525	2,490	3,525
K1 Tip-out angle °	0	43	0
A1 Height total (ROPS) mm	3,110	3,350	3,110
A3 Height tilted ROPS mm	2,300	2,300	2,300
-- Height Cabine mm	2,998	2,998	2,998
B2 Length mm	4,935	4,575	4,770
E Wheelbase mm	2,485	2,485	2,485
G2 Rear overhang mm	1,190	1,190	1,190



G1 Distance mm	0	842	0
F Ground clearance mm	369	369	369

Please note

that product availability can vary from country to country. It is possible that information / products may not be available in your country. More detailed information on engine power can be found in the operator's manual; the stated power may vary due to specific operating conditions. Subject to alterations and errors excepted. Applicable also to illustrations.
Copyright © 2016 Wacker Neuson SE.