



1501

Wheel Dumpers



Still more possibilities – 1501.

The 1,500 kg payload and optional swivel tipping skip enhance the range and variety of the dumper's applications. Even in very confined spaces, materials can be dumped precisely.

- High-tipping skip (1.45 m dumping height); optional swivel tipping skip, maximum payload 1,500 kg.
- Hydrostatic twin-lock four-wheel drive.
- Continuously variable speed up to 16 km/h max.
- Large service and maintenance access.
- Clearly laid out instrument panel and wide, robust leg protection.

Technical specifications

Operating data

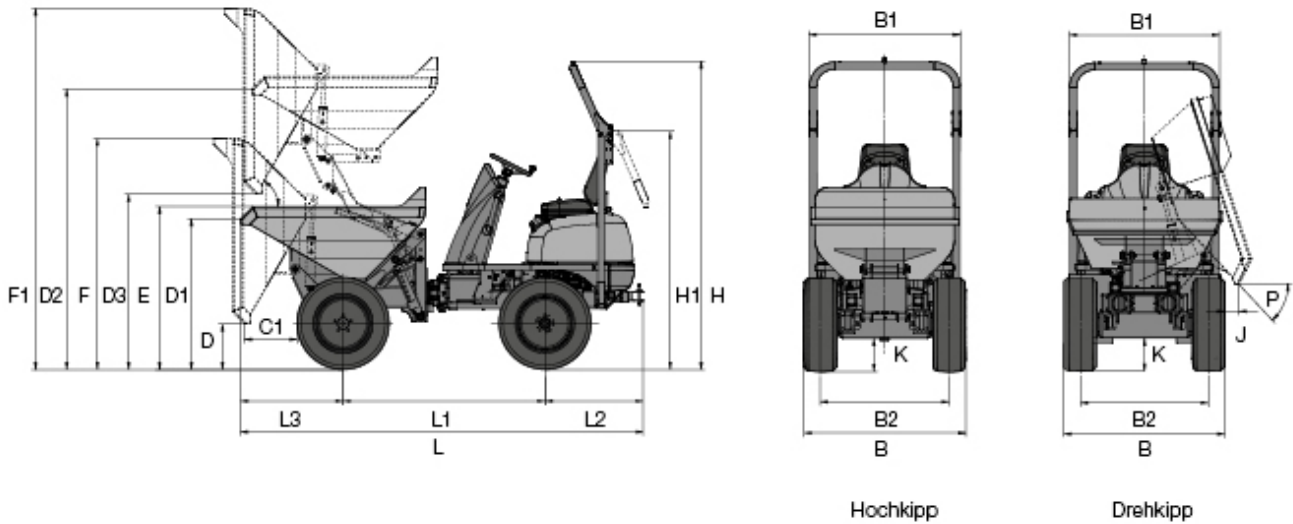
Payload	1,500 kg
Net weight	1,320 kg



Skip capacity level	650 l
Skip capacity heaped	800 l
Engine / Motor	
Engine / Motor manufacturer	Yanmar
Engine / Motor type	3TNV76
Engine / Motor	Diesel
Engine performance acc. to ISO 3046/1	17 kW
Displacement	1,116 cm ³
Travel speed	16 km/h
Articulation angle	33 °
Pendulum angle	15 °
Turning radius	3,300 mm
Gradeability	50 %
L x W x H	3,300 x 1,305 x 2,550 mm



Dimensions



Please note

that product availability can vary from country to country. It is possible that information / products may not be available in your country. More detailed information on engine power can be found in the operator's manual; the stated power may vary due to specific operating conditions.

Subject to alterations and errors excepted. Applicable also to illustrations.

Copyright © 2016 Wacker Neuson SE.