



## DT10

Track Dumpers



### Your professional equipment: DT10.

The crawler-mounted dumper DT10 from Wacker Neuson guarantees absolutely safe and comfortable driving thanks to a high level of stability and running smoothness. Also for overcoming curbs, this equipment is your best partner in tight spaces.

- Easy and convenient operation thanks to the fully-hydrostatic drive.
- Robust crawler design, guaranteeing durability and low wear and tear.
- Single-piece engine hood and optimized layout of the servicing points facilitate daily maintenance.
- The rubber chains and the optimum weight distribution reduce the ground pressure and prevent damage to fragile surfaces.
- Ultra-compact dimensions ideal for tight working conditions and passages; large ground clearance.

### Technical specifications

#### Operating data

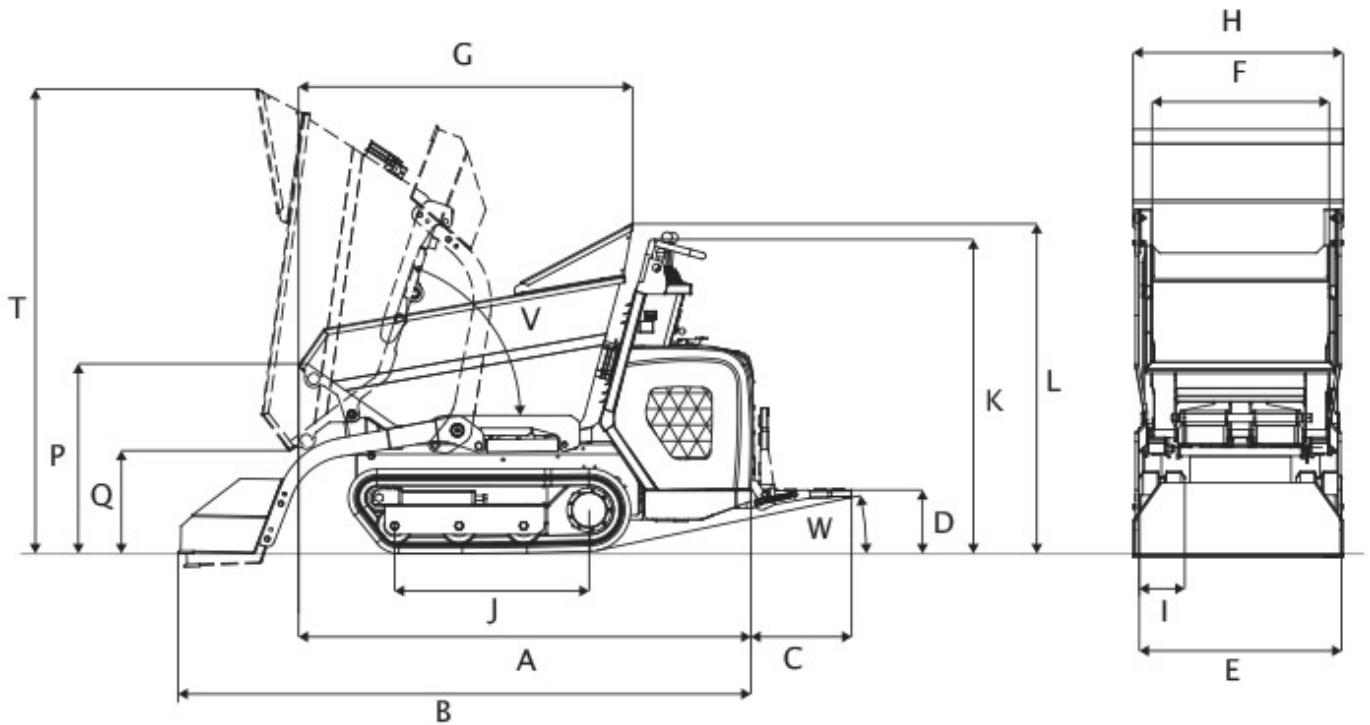
Shipping weight Diesel, front tip, SLE	680 kg
Payload max.	1,000 kg



Skip capacity leveled	367 l
Skip capacity heaped	427 l
L x W x H Diesel, front tip, SLE	2,670 x 830 x 1,280 mm
Engine / Motor	
Engine performance Diesel	9.6 kW
at rpm	3,600 rpm
Travel speed	4 km/h
Gradeability	20 %



## Dimensions



<b>A</b>	Length (without running board) mm	1,823
<b>B</b>	Length with self-loading system (without running board) mm	2,277
<b>C</b>	Length running board mm	393
<b>D</b>	Height above running board mm	265
<b>E</b>	Width undercarriage mm	830
<b>H</b>	Skip width mm	700
	Skip length mm	1,357
<b>H</b>	Width with self-loading system mm	790
	Chain width mm	180
<b>J</b>	Length track rise mm	875
<b>K</b>	Height over control console mm	1,280
<b>R</b>	Height Frontkante der Mulde mm	466
	Tip-out angle °	70



<b>W</b> Reverse roll angle running board °	14
<b>L</b> Ground clearance mm	172

**Please note**

that product availability can vary from country to country. It is possible that information / products may not be available in your country. More detailed information on engine power can be found in the operator's manual; the stated power may vary due to specific operating conditions.

Subject to alterations and errors excepted. Applicable also to illustrations.

Copyright © 2016 Wacker Neuson SE.