



COLT 1000

SCALPING SCREEN

COMPACT | EASY TO OPERATE | VERSATILE

OVERVIEW - COLT 1000

The highly adaptable Colt 1000 Scalping screen is able to operate in both heavy duty scalping and precision screening applications and will manage the most difficult of materials.

The Colt 1000 achieves a compact footprint maintaining the ethos of the EvoQuip range while achieving versatility and mobility. Flexibility is enhanced with configurable conveyor options and two way split conversion.

Featuring an aggressive double deck screen, variable screening angle with numerous screen media options, broad fines conveyor, quick set up time and tall discharge heights ensures the Colt 1000 distinguishes itself amongst its competition.

1

HOPPER

- 5m³ (6.5yd³) Hopper Capacity
- 1000mm (40") wide
- Variable speed

4

ENGINE OPTIONS

- Tier 4: CAT C3.4 engine (55kW / 74hp @ 2300rpm)
- Simple to operate

2

SCREEN

- 4.1m (13'6") x 1.22m (4') Double deck screen
- Variable screen angle
- Wide range of screen media
- Top Deck - Bofor Deck, Fingers, Punch Plate, 3D Punch Plate & Mesh
- Bottom Deck - Mesh & Fingers

5

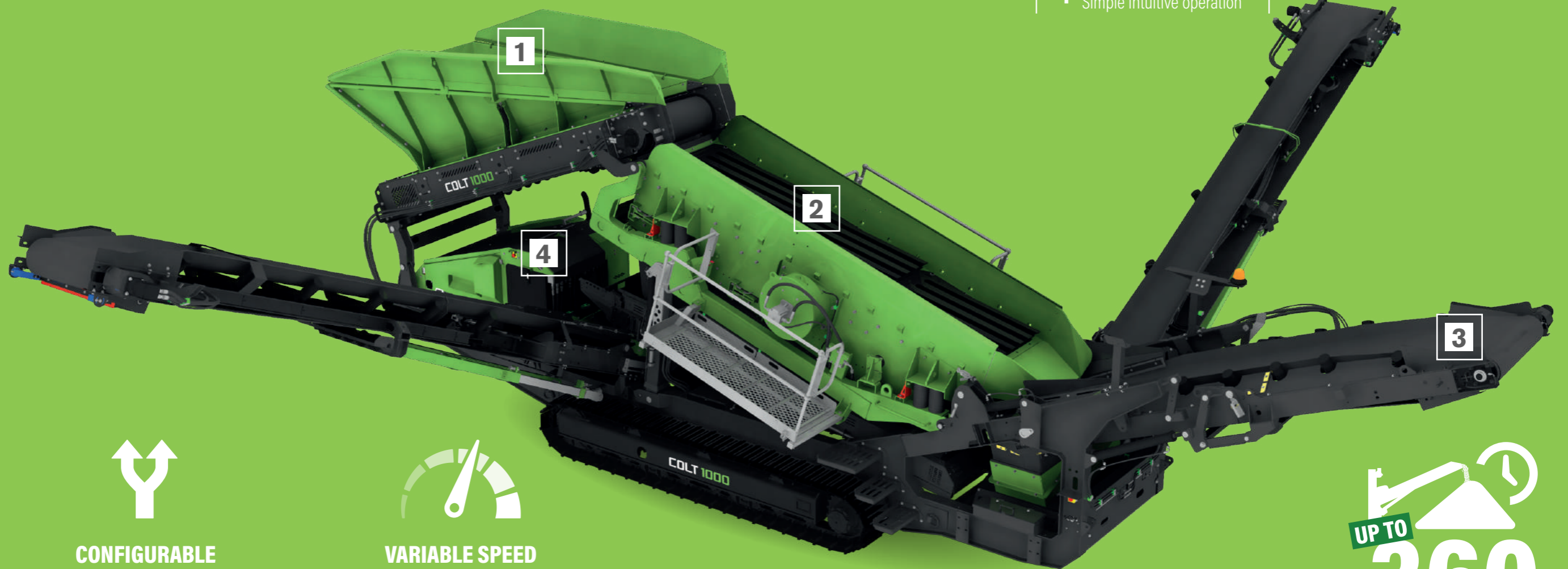
CONTROL SYSTEM

- Simple intuitive operation

3

CONVEYORS

- 1000mm (40") Wide collection conveyor with SCS scraper
- 800mm (31") Wide fines conveyor with 3.9m (12'8") discharge
- 650mm (26") Wide midgrade conveyor with 3.7m (12'2") discharge
- 1050mm (41") Wide oversize conveyor with 3.2m (10'4") discharge



**CONFIGURABLE
LAYOUT AND ABILITY
TO CONVERT TO 2
WAY SPLIT**



**VARIABLE SPEED
ON FEEDER, FINES,
MIDGRADE AND OVERSIZE
AS STANDARD**

**UP TO
360
TONNES PER HOUR
(396 US TPH)**

VERSATILITY



**2
WAY
SPLIT**



**VARIABLE
SCREEN
THROW**



**VARIABLE
SCREEN
ANGLE**



**HIGH ENERGY
AGGRESSIVE
SCREEN**



**REVERSIBLE SIDE
CONVEYORS/CONFIGURABLE
DISCHARGE**





**INTUITIVE
CONTROL
SYSTEM**



**WIDE RANGE
OF SCREEN
MEDIA**



**QUICK
SETUP
TIME**



**ENGINE
POWER**

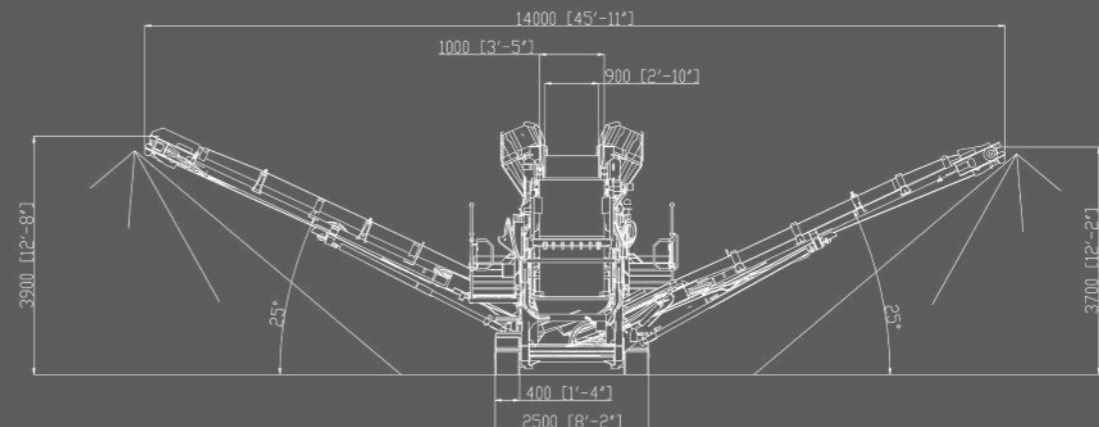
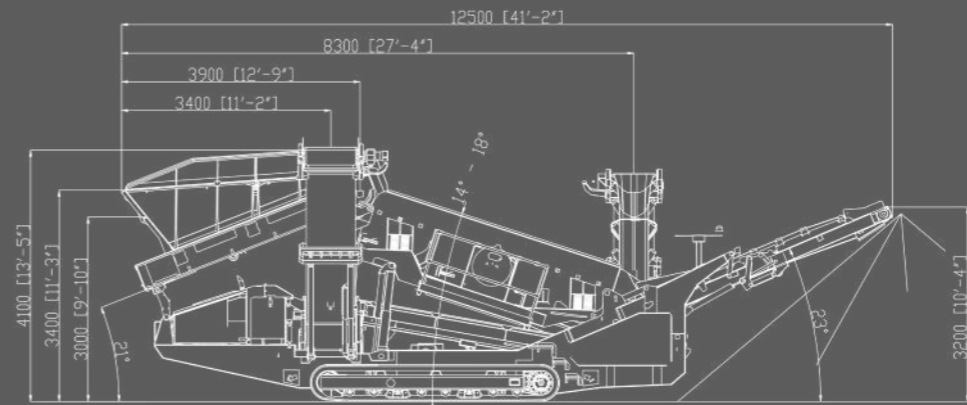
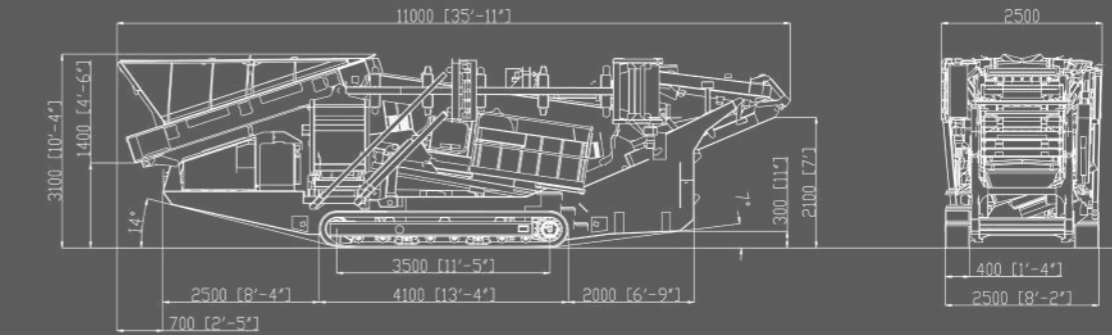
Tier 4: 55kW / 74Hp



**IDEAL FOR
URBAN
USE**



**EASY
TO
TRANSPORT**



Weight (standard machine) Tier4F: 20,750Kgs (45,745 lbs)

DIMENSIONS - COLT 1000

200 Coalisland Road,
Dungannon, Co. Tyrone, BT714DR
Tel: +442887718500
Email: evoquip@terex.com



[terex.com/EvoQuip](https://www.terex.com/EvoQuip)

The material in this document is for information only and is subject to change without notice.

Terex assumes no liability resulting from errors or omissions in this document, or from the use of the information contained herein.

Due to continual product development we reserve the right to change specifications without notice.

Photographs are for illustrative purposes only, some or all of the machines in the illustrations may be fitted with optional extras.

Copyright 2018 Terex GB Limited.

Published and Printed in May 2018.