



# COLT 1600

## HEAVY DUTY SCREENER

HIGH CAPACITY | VERSATILE

# OVERVIEW - COLT 1600

The high capacity, versatile heavy duty Colt 1600 scalper is designed to work in primary and secondary screening applications such as quarry and mining, construction demolition waste, sand, gravel, compost, top soil and coal.

The plant has the capacity to process at a rate of up to 600 tonnes per hour and can be fed either by a tracked mobile crusher, shovel or an excavator. The machine is available with dual power technology giving flexibility to be powered by an external power supply or the standard on-board engine.

## 1 HOPPER

- 7m<sup>3</sup> (9.16 yd<sup>3</sup>)
- 1m (40") wide, Abrasion resistant steel pan apron feeder
- Variable speed

## 4 CONVEYORS

- 1200m (48") Wide collection conveyor
- 900mm (36") Wide fines conveyor discharge height 4m (13' 1") (with optional extension 4.8m / 15' 9")
- Midgrade Conveyor: 800mm (32") discharge height 3.4m (11' 2") (with optional extension 4.1m / 13' 5")
- Oversize Conveyor: 1200mm (48") discharge height 3.6m (11' 10")

## 2 SCREEN

- 4.8m x 1.53m (16' x 5') Double deck screen
- Variable screen angle
- Extensive range of screen media
- Optional Spaleck Screen Box
- Optional Triple Shaft Screen Box (Note larger engine and tracks)

## 5 CONTROL SYSTEM

- Simple intuitive operation

## 3 ENGINE OPTIONS

- Tier 3 / Stage IIIA CAT C4.4 83kW (111.3hp) @1800rpm
- Tier 3 (LRC) CAT C4.4 98kW (131hp) @1800rpm
- Stage IIIA (Europe Only) CAT C4.4 98kW (131hp) Constant Speed
- Tier 4 Final / Stage IIIB CAT C4.4 82kW (110hp) @1800rpm
- Dual Power – 2 x37kW IE3 electric motors c/w hydraulic gear pumps and electrical control panel allowing machine to run in either Diesel or Electric mode
- Simple to operate



**CONFIGURABLE  
LAYOUT AND ABILITY  
TO CONVERT TO 2  
WAY SPLIT**



**VARIABLE SPEED ON  
FEEDER, MIDGRADE  
AND OVERSIZE AS  
STANDARD**



**UP TO  
600  
TONNES PER HOUR  
(661 US TPH)**

# VERSATILITY



**2  
WAY  
SPLIT**



**VARIABLE  
SCREEN  
THROW**



**VARIABLE  
SCREEN  
ANGLE**



**HIGH ENERGY  
AGRESSIVE  
SCREEN**



**REVERSIBLE SIDE  
CONVEYORS/CONFIGURABLE  
DISCHARGE**





**INTUITIVE  
CONTROL  
SYSTEM**



**WIDE RANGE  
OF SCREEN  
MEDIA**



**QUICK  
SETUP  
TIME**



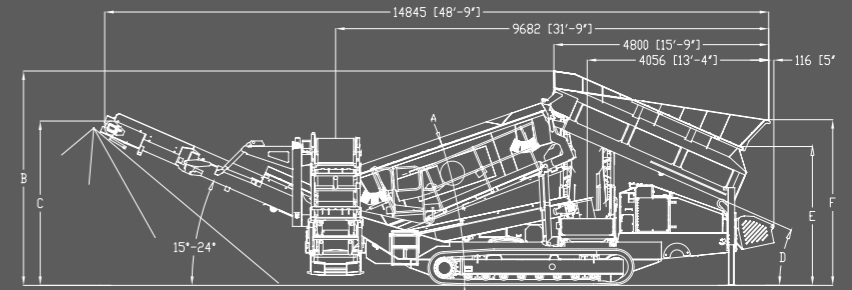
**DUAL  
POWER**



**EASY TO  
TRANSPORT**

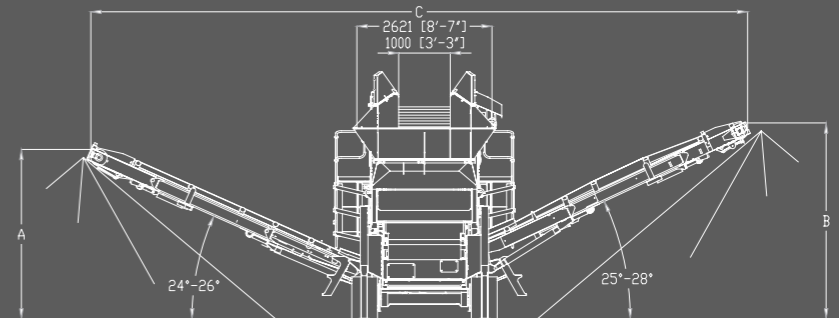
DIMENSION	SINGLE SHAFT & SPALECK	TRIPLE SHAFT
A	13'-19"	10"
B	4716 MAX 4250 MIN	4060
C	3726 MAX 3062 MIN	
D	19'-24"	16"
E	3026 MAX 2925 MIN	
F	3692 MAX 3605 MIN	

\* Extended chassis option will add 300mm to STD tracks and 200mm to HD tracks  
\*\* Heavy duty tracks will add 85mm



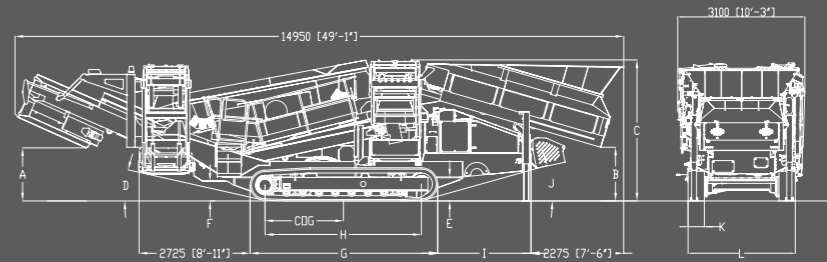
DIMENSION (MM)	STANDARD CONVEYORS	TELESCOPIC CONVEYORS
A <sup>(K)</sup>	3379 MAX 3193 MIN	3972 MAX 3910 MIN
B <sup>(K)</sup>	3977 MAX 3708 MIN	4791 MAX 4436 MIN
C	12720 MAX 12502 MIN	15846 MAX 14638 MIN

\* Extended chassis option will add 300mm to STD tracks and 200mm to HD tracks  
\*\* Heavy duty tracks will add 85mm



DIMENSION (MM)	STD TRACKS	HD TRACKS
A'	1220mm	1305mm
B'	1234mm	1319mm
C'	3359mm	3444mm
D	STD CHASSIS 11' EXT CHASSIS 17'	STD CHASSIS 12' EXT CHASSIS 18'
E'	505mm	590mm
F'	400mm	485mm
G	3975mm	4610mm
H	3290mm	3840mm
I	2916mm	2285mm
J	STD CHASSIS 12' EXT CHASSIS 21'	STD CHASSIS 16' EXT CHASSIS 21'
K	400mm	500mm
L	2630mm	2820mm

\* Extended chassis option will add 300mm to STD tracks and 200mm to HD tracks



Weight (standard machine) 31,000kgs (68,343lbs)

**DIMENSIONS - COLT 1600**

200 Coalisland Road,  
Dungannon, Co. Tyrone, BT714DR  
**Tel:** +442887718500  
**Email:** [evoquip@terex.com](mailto:evoquip@terex.com)



**[terex.com/EvoQuip](https://www.terex.com/EvoQuip)**

The material in this document is for information only and is subject to change without notice.

Terex assumes no liability resulting from errors or omissions in this document, or from the use of the information contained herein.

Due to continual product development we reserve the right to change specifications without notice.

Photographs are for illustrative purposes only, some or all of the machines in the illustrations may be fitted with optional extras.

Copyright 2019 Terex GB Limited.

Published and Printed in October 2019.